



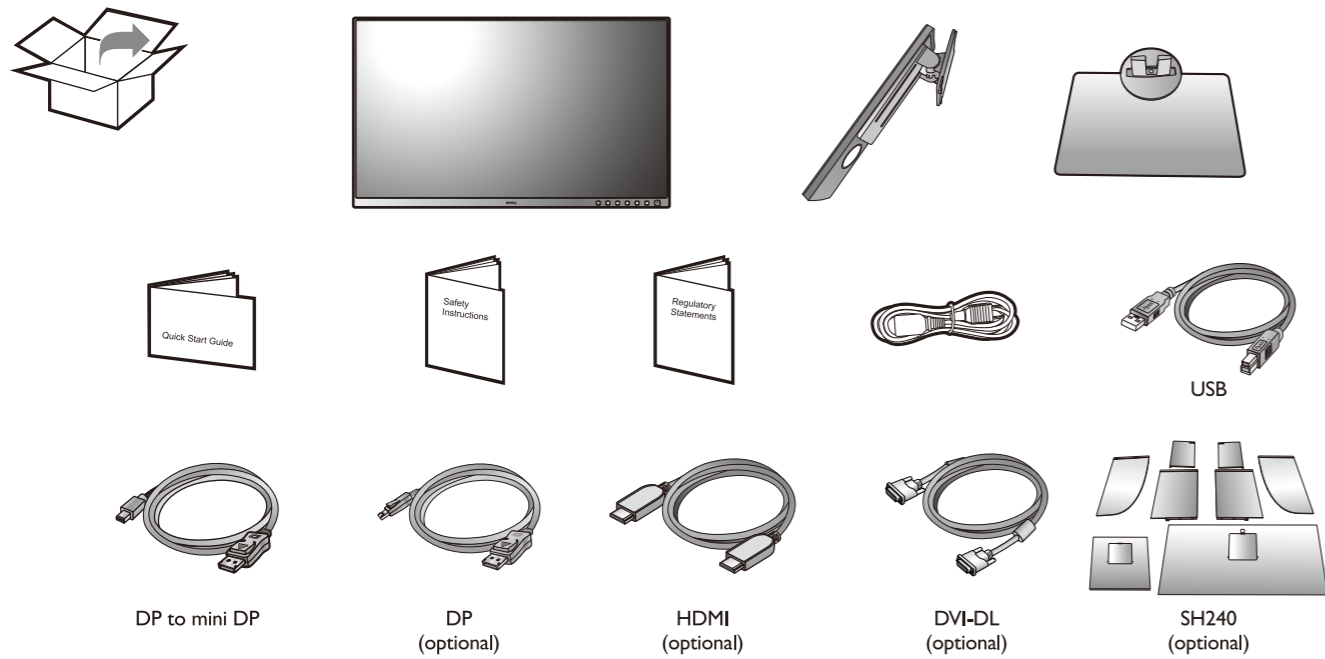
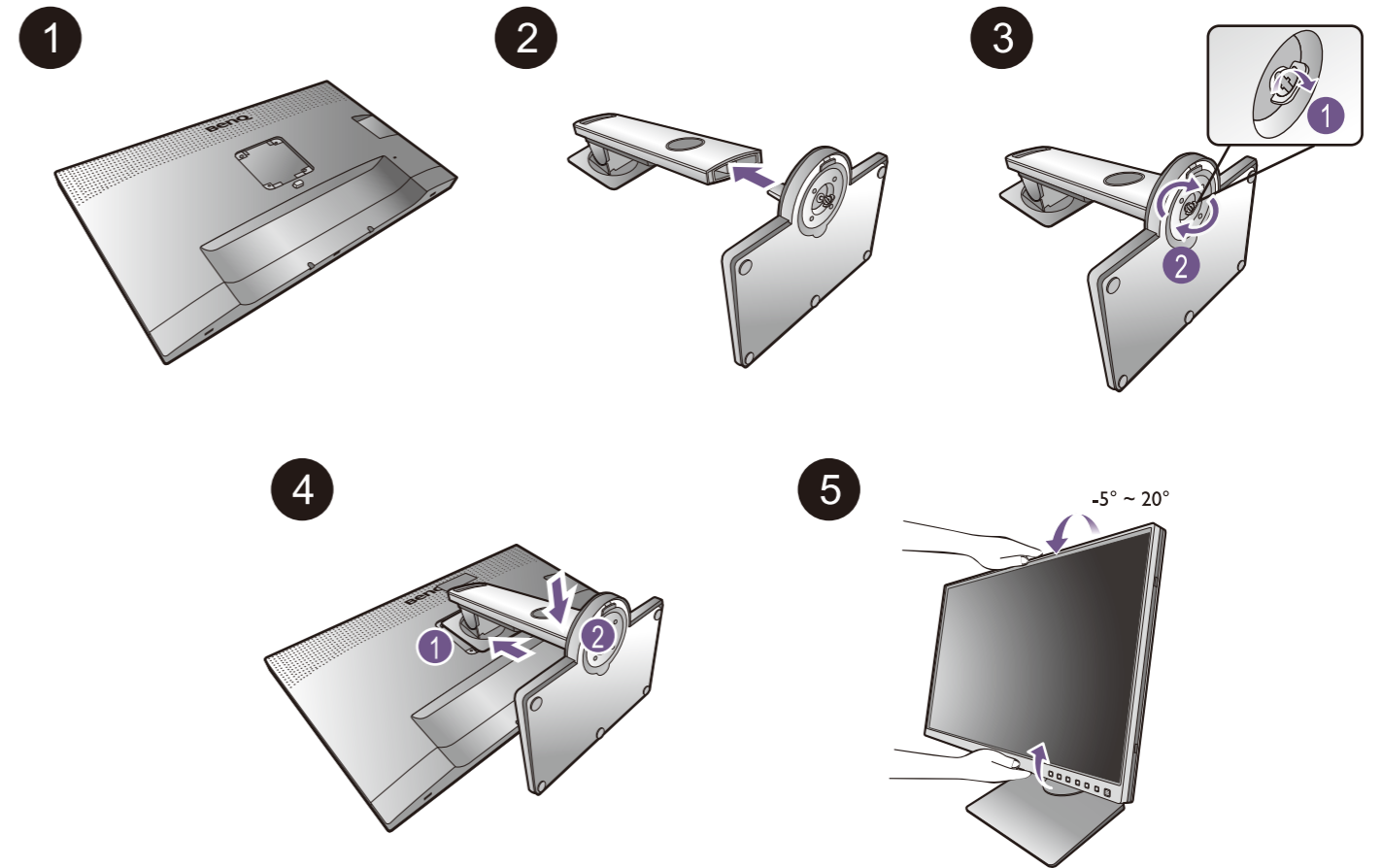
# LCD Monitor Quick Start Guide

PhotoVue Photographer Monitor | SW Series



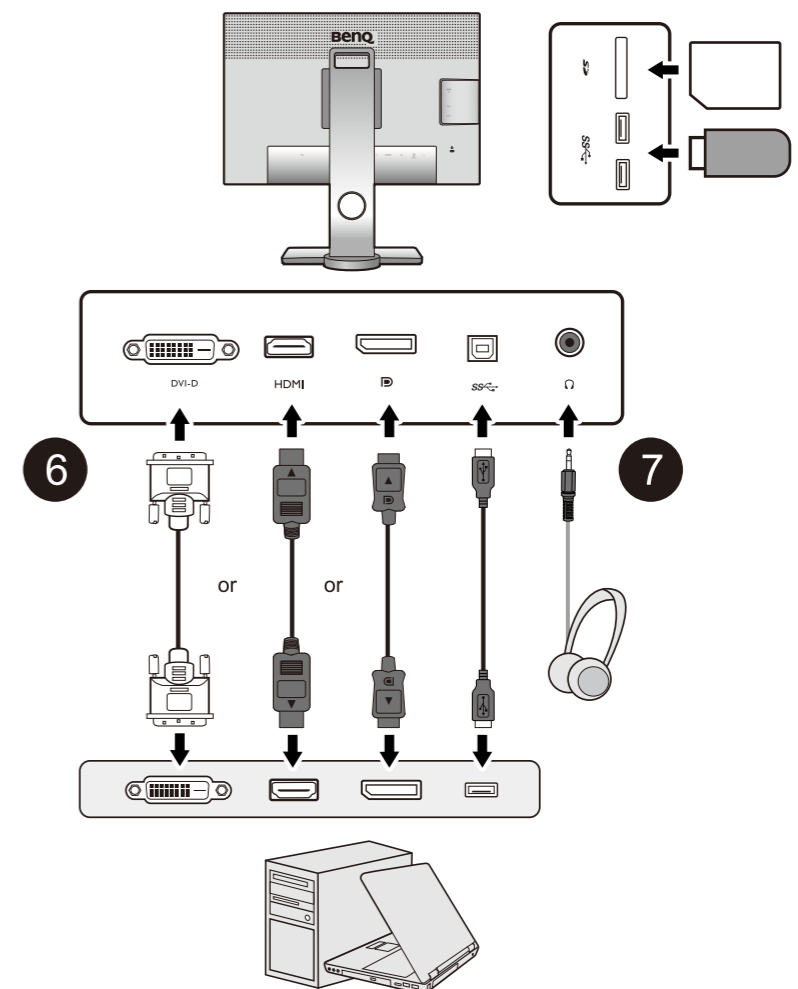
DN: SW240-EQ-V3

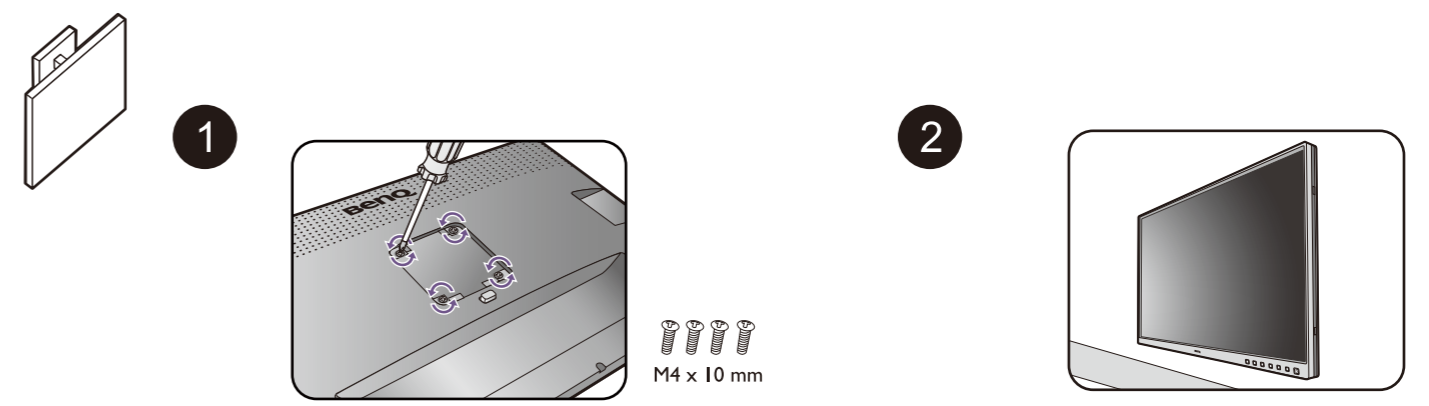
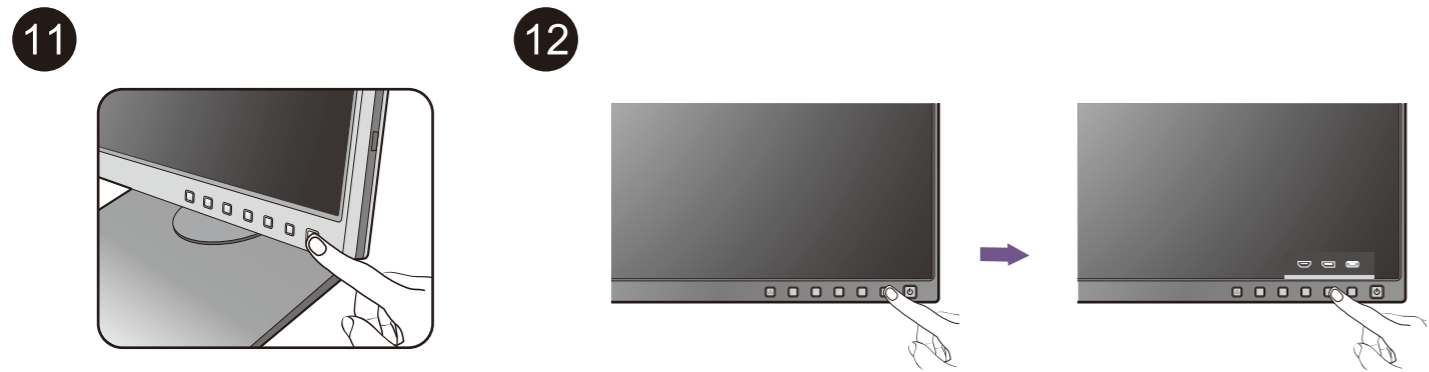
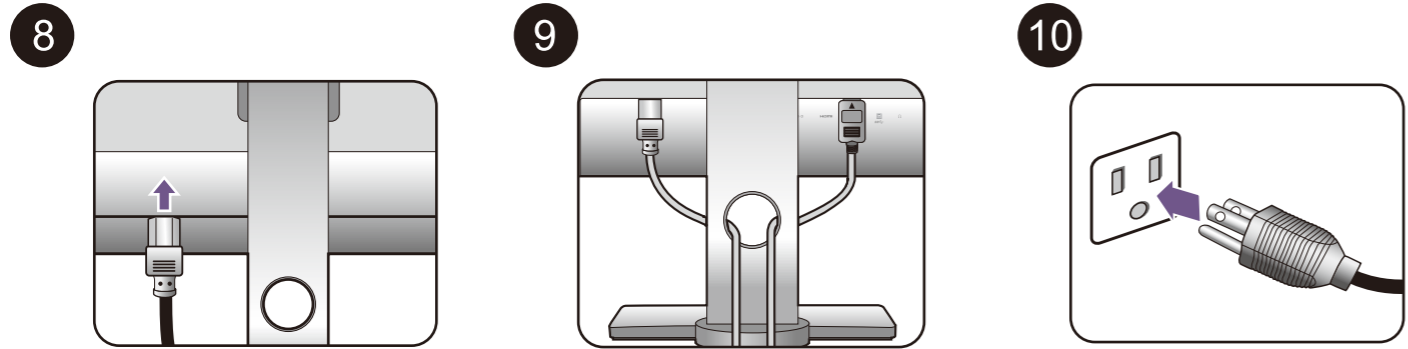
© 2022 BenQ Corporation. All rights reserved. Rights of modification reserved.



The terms HDMI, HDMI High-Definition Multimedia Interface, HDMI Trade Dress and the HDMI Logos are trademarks or registered trademarks of HDMI Licensing Administrator, Inc.

6 Video  
7 Audio





### How to install the shading hood (optional step)

